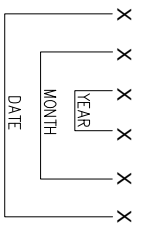
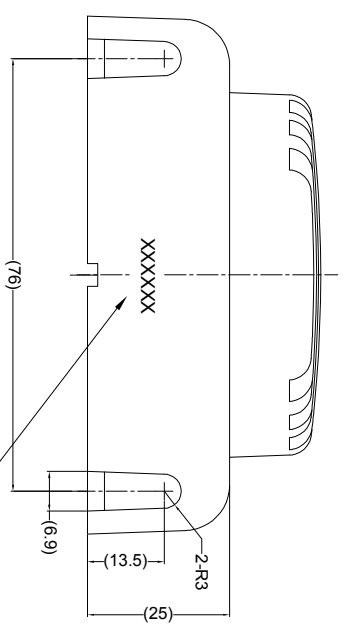
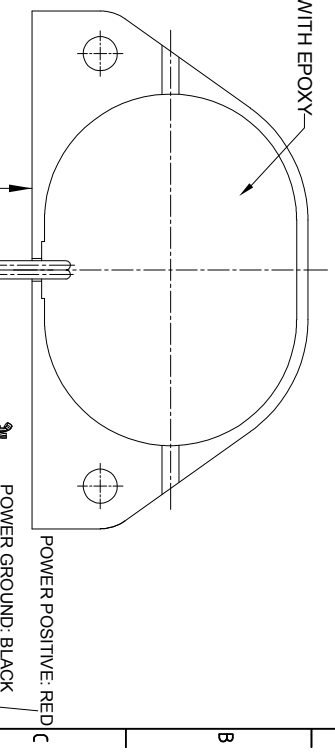
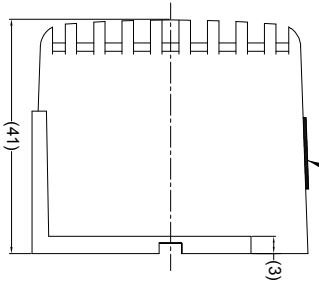
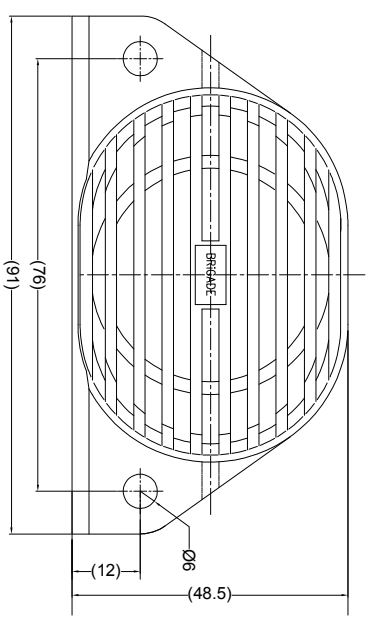


Revision Notes			
R1 - ALARM CABLE INFORMATION ADDED & PRODUCT VALIDATION WORDING CHANGED.			
APR: K.WATAMBE	Drawn: BRAR	Checked: M.POTTER	Approved: S.MATHEWS Date: 06/09/13
R2 - NOTES UPDATED TO INCLUDE LABEL DETAILS AS PER IEC CR-A274.			
APR: KIDA	Drawn: RBATES	Checked: M.BUTLER	Approved: G.PLITH Date: 28/08/14



PRODUCTION LOT NO

PRODUCT SPECIFICATIONS:

1. RATED VOLTAGE: 12V, 24VDC
2. WORKING VOLTAGE RANGE: 9V ~ 32VDC
3. OPERATIONAL TEMPERATURE RANGE: -20°C TO +50°C
4. SOUND PRESSURE: SOUND PRESSURE IS MEASURED AT A DISTANCE OF 1M IN FRONT OF BODY AT A HEIGHT OF 1M ABOVE GROUND AT RATED VOLTAGE. NOTE: THE FIGURES BELOW SHALL BE SATISFIED AT OPERATING VOLTAGE BETWEEN 11V AND 32VDC. NS MODEL IS SILENT WITH REVERSE GEAR DOUBLE ENGAGE WITHIN 2 SECONDS AT TEMPERATURE +20°C.
- NORMAL MODE: 90±4dB.
- NIGHTSHIFT MODE: 81±7dB.
(NOTE THAT NIGHT SHIFT MODE REDUCTION IS 9dB WITH ±3 TOLERANCE)
- FOR OPERATIONAL TEMPERATURE RANGE:
NORMAL MODE: 90+4/-7dB.
NIGHTSHIFT MODE: 81+7/-10dB.
(NOTE THAT NIGHT SHIFT MODE REDUCTION IS 9dB WITH ±3 TOLERANCE)
5. RATED CURRENT: LESS THAN 200mA AT RATED VOLTAGE.
6. FREQUENCY: 1150±200HZ AS POWERED AT RATED VOLTAGE.
7. INTERMITTENCY: 72±10 CYCLES/MIN. AT RATED VOLTAGE.
ON/OFF DUTY CYCLE 50±10%.

PRODUCT VALIDATION:

THE PARAMETERS OF THE PRODUCT SPECIFICATION 4, 5, 6 AND 7 ABOVE SHOULD BE MAINTAINED FOR THE TESTS STATED BELOW:

1. MEASUREMENT WILL BE DONE AT -20°C, +20°C AND +50°C.
2. WATER RESISTANCE: TO BE FREE FROM ABNORMALITY AFTER TESTED AS SPECIFIED ABOVE IN S1 JIS D0203.
3. VIBRATION RESISTANCE: REQUIREMENTS SPECIFIED ABOVE AFTER SUBJECTING AS VIBRATED TO 70m/S² 33.3Hz (2000C/MIN) UP/DOWN FOR 4Hr, RIGHT/LEFT FOR 2Hr AND FRONT/REAR FOR 2Hr UNDER STAGE 70 JIS D 1601
4. DURABILITY: REQUIREMENTS SPECIFIED ABOVE SHALL BE SATISFIED AFTER SUBJECTED TO TEST OF CONSECUTIVE 500Hr AT TEST VOLTAGE OF +28±0.1V AT ROOM TEMPERATURE.
5. SURGE VOLTAGE RESISTANCE: TO BE FREE FROM ABNORMALITY FOR UP TO 10msec AT 80 VOLTS.

NOTES:

1. FINISH: BLACK ABS PLASTIC
2. FOR PRODUCT LABEL REFER TO LATEST REVISION OF DRAWING BE-002834-XX-14.
3. FOR GIFTBOX LABEL REFER TO LATEST REVISION OF DRAWING BE-002834-XX-14.
4. "R TRIANGLE" INDICATES CHANGES MADE TO REVISION OF DRAWING AS IDENTIFIED IN NOTES.

PROPRIETARY NOTICE

THIS DESIGN AND TECHNICAL INFORMATION APPEARING ON THIS DRAWING IS THE PROPERTY OF BRIGADE ELECTRONICS, AND IS DISCLOSED IN CONFIDENCE. IT IS NOT TO BE COPIED, REPRODUCED, REVEALED TO OR EXPLOITED BY OTHERS, EITHER IN WHOLE OR IN PART WITHOUT THE EXPRESS WRITTEN CONSENT OF BRIGADE ELECTRONICS.



<p>Angle of Projection</p> <p>Third Angle</p>	<p>Assembly Pl Approval</p> <p>KIDA</p>	<p>Approved by</p> <p>B.JOHN</p>	<p>Checked by</p> <p>RBATES</p>	<p>Drawn by</p> <p>LBRRAR</p>	
	<p>Status</p> <p>RELEASED</p>	<p>Units</p> <p>mm</p>	<p>Scale</p> <p>N/A</p>	<p>Released</p> <p>04/09/13</p>	<p>Assembly Ref</p> <p>BA0421100</p>
		<p>Part No</p> <p>0904A</p>		<p>BA-42(INS)</p>	<p>BE-002529-02-13</p>